

55H-P-SP

Series 55H-P-SP Pressure-Applied Single-Position Engagement Pilot-Mount Tooth Clutches



Stationary Cylinder for Dry Operation or in Oil

The 55H-P-SP is a development of the Series 55H-P pilot mount clutch featuring single-position engagement. When the clutch is actuated, the driving and driven sides always engage in the same angular relationship, thus ensuring the driven member is always accurately synchronized. A ball detent feature ensures single-position engagement and the drive is transmitted by toothed rings, giving the same torque ratings as the 55H-P range.

Features

- Continuous angular position re-engagement, ensuring drive synchronization
- Tooth clutch provides positive drive with no slip
- All concentricities controlled within clutch simplifying installation
- Sealed bearings need no lubrication in service
- Stationary cylinder allows simple supply connection
- Spring disengagement results in no drag torque other than the rolling resistance of the drive flange/hub bearing
- Standard fixing holes provided in drive flange
- Pilot mount with locating diameter and fixing holes can be used to attach pulleys, sprockets and other drive components simplifying assembly

Typical Applications

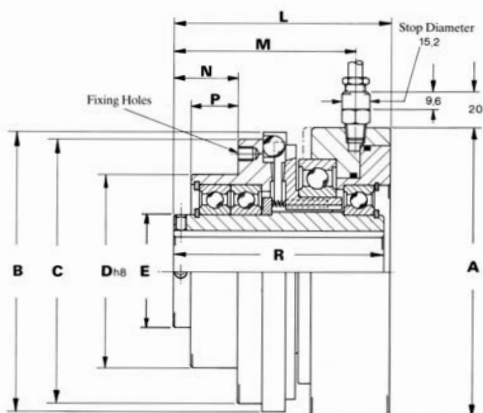
- Industries where synchronized applications are required
- Printing

For Technical Assistance Call

800-825-9050

 **Matrix**[®]
International
An Altra Industrial Motion Company

MODEL		55H30P-SP	55H35P-SP	55H40P-SP	55H45P-SP	55H50P-SP	55H60P-SP	55H80P-SP
Performance Data								
Rated Static Torque at 5.5 bar/80 psi	Nm	160	260	380	550	750	1300	3800
	ft-lbs	115	185	275	395	545	945	2800
Pressure to Overcome Release Springs	bar	1.0	1.0	0.7	0.8	0.75	0.55	0.7
	psi	14	14	10	12	11	8	10
Maximum Speed	revs/min	3600	3040	2880	2560	2400	1920	2560
Inertia (kgm²) = Table Value x 10⁻³								
Clutch Less Pilot Mount Assembly		0.94	1.72	2.03	4.60	5.96	13.4	42
Pilot Mount Assembly		2.07	3.25	5.66	7.25	12.3	26.5	53
Weight (kg)								
Complete Unit		3,5	5	6	9	10	14,8	37
Dimensional Data (all dimensions in mm)								
Standard Bores (H7)		20	30	30	38	44	50	75
Keyways to I.S.O. 773 B.S. 4235:1972 Pt. 1 D.I.N. 6885:1968 Pt. 1; NF.E22-175		6 x 2.8	8 x 3.3	8 x 3.3	10 x 3.3	12 x 3.3	14 x 3.8	20 x 4.9
(Bores other than standard can be obtained by special order)		—	25 8 x 3.3	25 8 x 3.3	35 10 x 3.3	40 12 x 3.3	45 14 x 3.8	70 20 x 4.9
		—	—	—	30 8 x 3.3	35 10 x 3.3	40 12 x 3.3	60 18 x 4.4
Minimum Bore		15.7	18.8	18.8	28.4	31.5	34.7	34.7
Diameters (all dimensions in mm)								
A		115	127	134	153	167	193	240
B		110	124	136	149	162	187	237
C		98	114	124	137	152	178	241
D (h8)		72	88	88	102	112	132	175
E		35	45	45	60	65	75	100
Lengths								
L		102	107	110	118	121	137	175
M Disengaged		85	91	94	101	105	116	151
M Engaged		79	84	87	95	99	110	144
N		24	25	25	29	29	32	52
P		18	18	18	21	20	22	39
R		99	105	107	118	121	137	175
Fixing Holes								
Number		3	3	3	6	6	6	8
Size		M6	M6	M6	M6	M8	M8	M10
P.C.D.		88	102	108	120	135	155	200
Depth		8	8	11	11	13	13	18



Matrix International
 449 Gardner St. • South Beloit, IL 61080
 815-389-6274 • Fax: 815-389-2582
 E-mail: matrix.usa@altramotion.com
 www.matrix-international.com