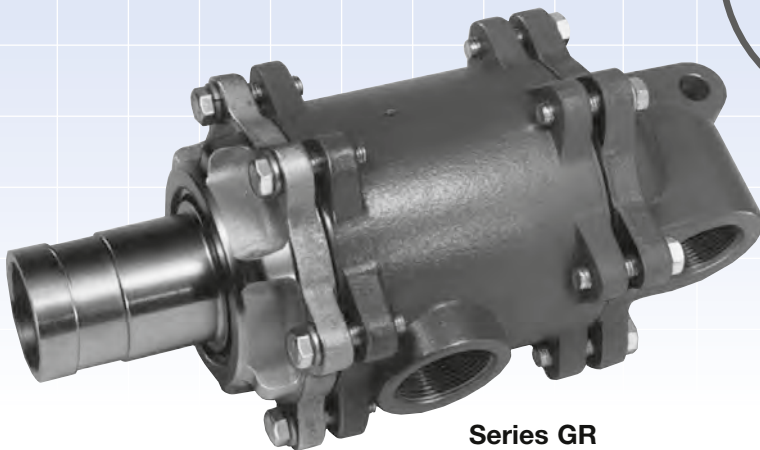


Rotary Steam Joints for Open Gear Paper Machines

BULLETIN 3700

Long
Life
Improved
Corrosion
Resistance
Highly
Reliable



Series GR

Series Super G

For rotary syphons
sizes 2", 2½" and 3"

For stationary syphons
sizes 1¼", 1½" and 2"

GR Special Design Features

- Antimony seals and bearings in the GRX provide longer life, especially on higher speed machines
- Sleeves are dual-driven by two keys to give greater resistance to side load and eccentric motion.
- External seal wear indicator for preventive maintenance.
- All wear surfaces are treated for improved corrosion resistance.
- Directly interchangeable with competitive designs.
- Seal under compression design can better handle pressure surges and promotes longer life.

Super G Special Design Features

- Antimony seals and bearings are standard.
- Two widely spaced bearings for stability, greater syphon support and longer wear.
- Available in quick release flange assembly or threaded sleeve.
- External seal wear indicator for preventive maintenance.
- All wear surfaces are treated for improved corrosion resistance.
- Directly interchangeable with competitive designs.
- Seal under compression design can better handle pressure surges and promotes longer life.

Operating Data

Max. Pressure, Series GR
160 PSI 11 BAR

Max. Pressure, Series Super G
250 PSI 17,2 BAR

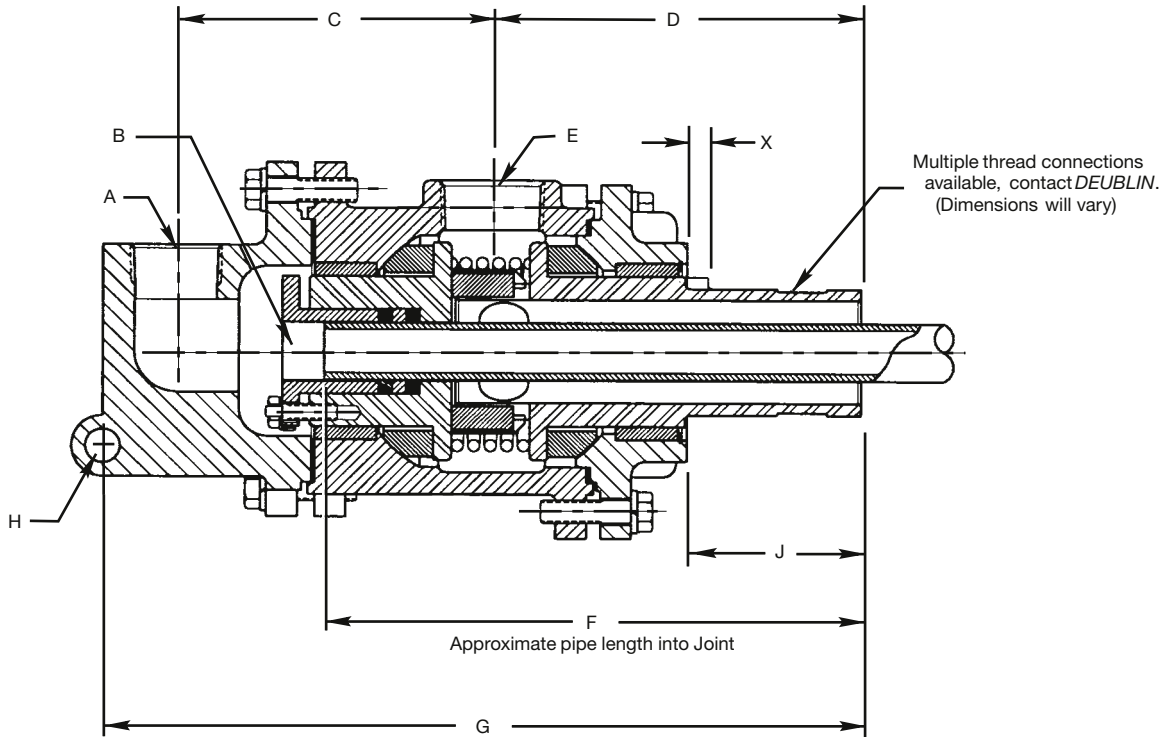
Engineered for Performance

DEUBLIN SERIES GR AND GRX Rotary Steam Joints

For Open Gear Paper Machines with Rotary Syphons

GR carbon seals under compression

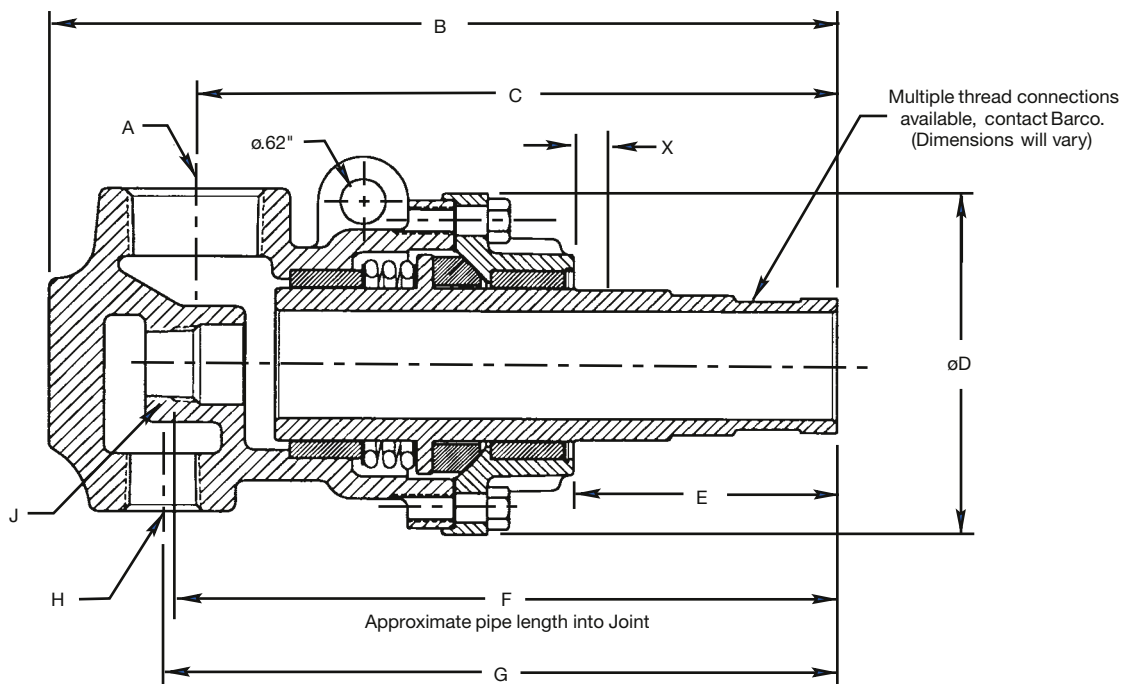
GRX antimony seals and bearings



| Joint Size | GR Joint Part number | GRX Joint Part number | A Thread NPT | B* Syphon | C | D | E Thread NPT | F | G | H | J | X |
|------------|----------------------|-----------------------|--------------|-----------|----------------|----------------|--------------|-----------------|-----------------|--------------|---------------|--------------|
| 2" | BC-56343-32-62 | BC-56743-32-62 | 1" | 3/4" | 5.75" (146) | 6.88" (175) | 1 1/2" | 10.00" (254) | 13.75" (349) | .62" (16) | 3.16" (80) | .44" (11) |
| | BC-56354-32-62 | BC-56754-32-62 | 1 1/4" | 1" | | | | | | | | |
| 2 1/2" | BC-56343-40-62 | BC-56743-40-62 | 1" | 3/4" | 6.44" (163) | 7.25" (184) | 2" | 10.75" (273) | 14.79" (376) | .69" (17) | 3.06" (78) | .41" (10) |
| | BC-56344-40-62 | BC-56744-40-62 | 1" | 1" | | | | | | | | |
| | BC-56355-40-62 | BC-56755-40-62 | 1 1/4" | 1 1/4" | | | | | | | | |
| 3" | BC-56354-48-62 | BC-56754-48-62 | 1 1/4" | 1" | 6.81" (173) | 7.51" (191) | 2 1/2" | 10.75" (273) | 15.88" (403) | .69" (17) | 2.93" (74) | .41" (10) |
| | BC-56355-48-62 | BC-56755-48-62 | 1 1/4" | 1 1/4" | | | | | | | | |
| | BC-56366-48-62 | BC-56766-48-62 | 1 1/2" | 1 1/2" | | | | | | | | |

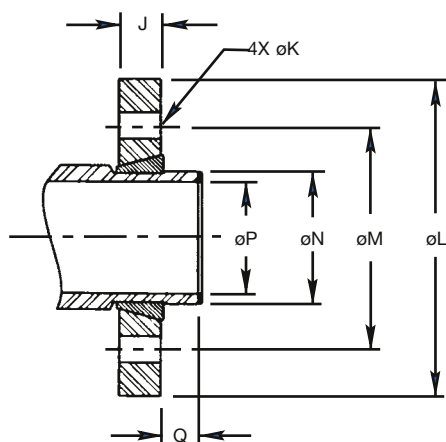
*Other syphon sizes available, contact DEUBLIN.

For Open Gear Paper Machines with Stationary Syphons



| Joint Size | Super G Part number | A Thread NPT | B | C | ϕD | E | F Syphon | G | H Thread NPT | J Thread NPT | X |
|------------|---------------------|--------------|-----------------|----------------|----------------|---------------|-----------------|-----------------|--------------|--------------|---------------|
| 1 1/4" | BC-55000-20-62 | 1 1/4" | 10.45" (265) | 8.54" (217) | 4.38" (111) | 3.48" (88) | 9.00" (229) | 8.85" (225) | 3/4" | 1/2" | .34" (8,6) |
| 1 1/2" | BC-55000-24-62 | 1 1/2" | 10.87" (276) | 8.87" (225) | 4.75" (121) | 3.63" (92) | 9.35" (237) | 9.31" (236) | 3/4" | 3/4" | .34" (8,6) |
| 2" | BC-55000-32-62 | 2" | 12.02" (305) | 9.46" (240) | 6.00" (152) | 3.20" (81) | 10.07" (256) | 10.08" (256) | 1 1/4" | 3/4" | .41" (10) |

Flange Detail for GR, GRX, and Super G



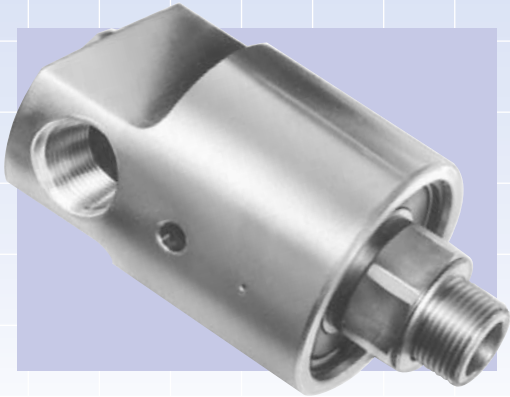
| Joint Size | Part number* | J | ϕK | ϕL | ϕM | ϕN | ϕP | Q |
|------------|--------------|--------------|--------------|----------------|----------------|------------------------------------|---------------|---------------|
| 1 1/4" | 10-64034-43 | .62" (16) | .56" (14) | 5.50" (140) | 3.50" (89) | 1.620" - 1.622" (41,15 - 41,20) | 1.25" (32) | .500" (13) |
| 1 1/2" | 10-64035-43 | .69" (17) | .56" (14) | 5.50" (140) | 3.58" (98) | 1.870" - 1.872" (47,50 - 47,55) | 1.50" (38) | .500" (13) |
| 2" | 10-64036-43 | .75" (19) | .56" (14) | 6.81" (173) | 4.75" (121) | 2.318" - 2.320" (58,88 - 58,93) | 1.88" (48) | .625" (16) |
| 2 1/2" | 10-64037-43 | .88" (22) | .56" (14) | 6.75" (171) | 4.75" (121) | 2.836" - 2.838" (72,03 - 72,08) | 2.38" (60) | .748" (19) |
| 3" | 10-64038-43 | .94" (24) | .69" (18) | 8.00" (203) | 6.75" (171) | 3.428" - 3.430" (87,07 - 87,12) | 2.88" (73) | .878" (22) |

*Kit consists of Split Wedges, Flange and Gasket.

Special Flanges Available on Request, Contact DEUBLIN.

Serving Industry With the Highest Quality Rotary Unions and Swivel Joints Since 1908

DEUBLIN engineered products meet a wide variety of applications requiring various sizes, pressures, speeds, and temperatures and handle a broad range of media.



Rotary Unions

Designed for applications requiring positive sealing between fixed plumbing and continually rotating machinery. They are used primarily in the printing, paper, rubber, plastics, food processing and machine tool industries.

Operating Data

Sizes from 1/4" to 4"
Pressures to 1500 PSI
Speeds to 10,000 RPM
Temperatures to 446°F
Media includes steam, water, brine, oil, gas, heat transfer fluids, air, hydraulic and coolants.

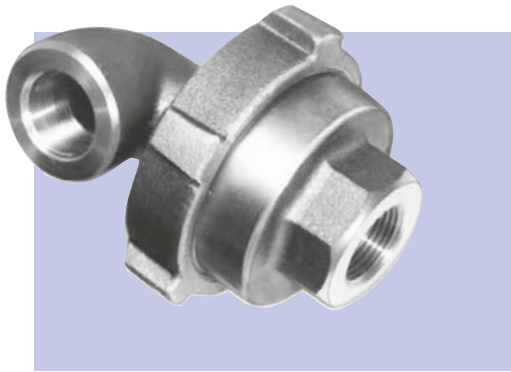


Plane Swivel Joints

Provide 360° movement between piping system elements in one or more planes for the conveyance or transfer of fluids. They are used primarily in applications such as automatic car wash installations, loading arms for fluids supply and transfer, hose reel assemblies, plant processing machinery applications, steel mill oxygen lances and floating roof tank drain systems.

Operating Data

Sizes from 1" to 8"
Pressures to 3000 PSI
Temperatures to 446°F
Media includes steam, oil, water, gas and chemicals.



Self-Aligning Swivel Joints

This is the direct method to handle rotary and angular alignment motion with positive sealing between piping system elements. They are used primarily on platen presses, food processing machinery and particle board presses.

Operating Data

Sizes from 3/8" to 2"
Pressures to 700 PSI
Temperatures to 446°F
Media includes steam, hot oil, water and alternating steam and water.

Custom-Designed Specials

For your special needs, our highly skilled engineers with state-of-the-art computer-aided design and manufacturing technology will design and build the product that will meet your specific requirement.



DEUBLIN GmbH
Nassaustraße 10

65719 Hofheim a. Ts.

Fon: +49 - 6122 - 8002-0

Fax: +49 - 6122 - 15 888

E-Mail: info@deublin.de