

Duoflow Rotating Syphon

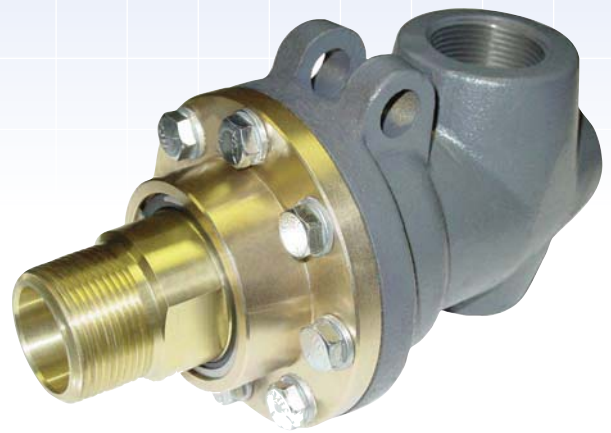
Catalog C2005
Water, Steam & Hot Oil Duoflow Rotating Syphon

BC-54205 & BC-54206 SERIES

Special Design Features

- **Two widely spaced Carbon Bearings provides greater support to the syphon pipe and hoses.**
- **Carbon Seal placed under compression add strength and shock resistance. Joints lasts longer.**
- **External seal wear indicator allows for planned maintenance reducing expensive downtime.**

The DEUBLIN Type “CR” (threaded) and “CRF” Rotary Joints are designed to be used with rotating syphon in water or other circulation service. the rotating syphon pipe is retained by a special bearing (in place of threaded stationary syphon connection), which is independent of the seal. When used in circulating liquid services with relatively equal pressure in both inlet and outlet passages, a small amount of “cross circuit” leakage between the passages must be permissible. Syphon pipes are not furnished, but must be machined to dimensions given in the table supplied. Pressure and temperature ratings are equivalent to those given for Type “C” and “CF” rotary joints.



Bronze Trim
Sizes 1/2” to 3”



Ferrous Trim
Sizes 1/2” to 3”

Engineered for Performance

TYPE "CR" & "CRF"



Bronze Trim Construction
Bronze sleeve and end cap,
with casing for water, brine
and low pressure steam.
Steam - 125 psi (8.6 BAR)
Water - 300 psi (20.6 BAR)



Ferrous Trim Construction
Recommended for higher
pressure steam to 250 psi
(17.2 BAR).



Hot Oil Construction
Recommended for Hot Oil
services rated at 100 psi
(6.8 BAR) & +446 °F.

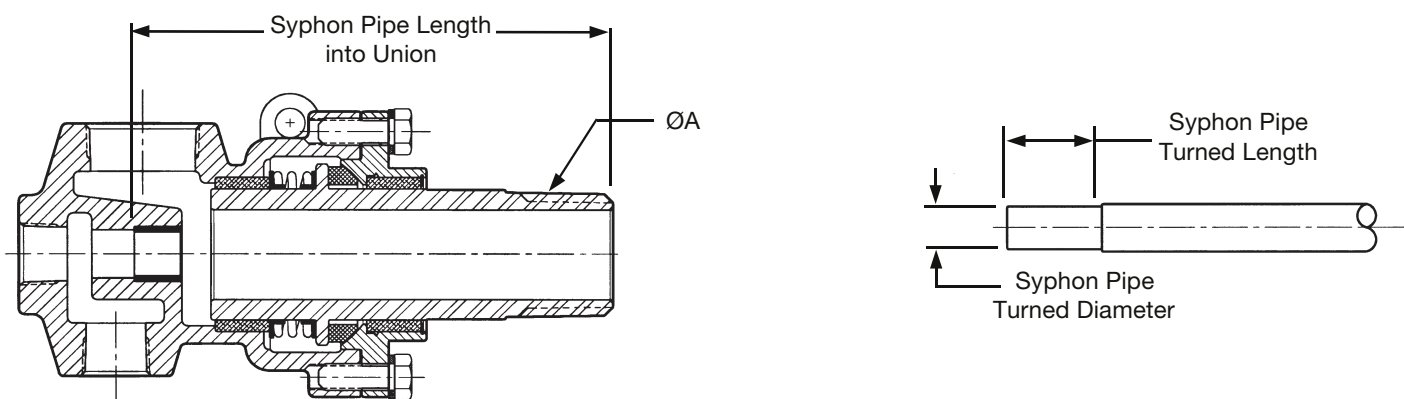
For BSPT threads:

Add a "B" to the end of the part number.

Example: BC-54205-08-50B

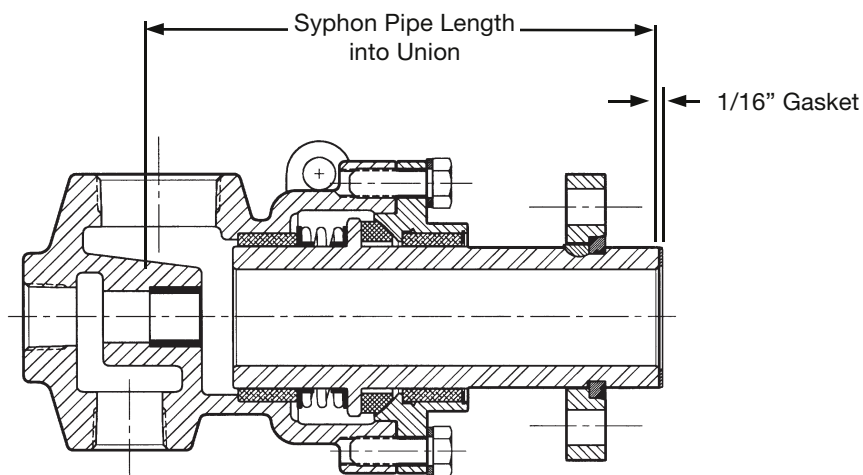
Joint Size	Ferrous Trim Part Number	Bronze Trim Part Number	Hot Oil Part Number	A NPT	Syphon Pipe Size	Syphon Pipe Turned Dimension	Syphon Pipe Turned Length	Syphon Pipe Length into Union
1/2"	BC-54205-08-50	BC-54206-08-50	BC-54205-08-20	1/2" R.H.	1/8"	Ø.371-.372"	1.125"	5.13"
	BC-54205-08-51	BC-54206-08-51	BC-54205-08-21	1/2" L.H.	1/8"	Ø.371-.372"	1.125"	5.13"
3/4"	BC-54205-12-50	BC-54206-12-50	BC-54205-12-20	3/4" R.H.	1/4"	Ø.496-.497"	1.125"	5.07"
	BC-54205-12-51	BC-54206-12-51	BC-54205-12-21	3/4" L.H.	1/4"	Ø.496-.497"	1.125"	5.07"
1"	BC-54205-16-50	BC-54206-16-50	BC-54205-16-20	1" R.H.	3/8"	Ø.621-.622"	1.250"	6.08"
	BC-54205-16-51	BC-54206-16-51	BC-54205-16-21	1" L.H.	3/8"	Ø.621-.622"	1.250"	6.08"
	BC-54205-16-60	BC-54206-16-60	BC-54205-16-30	CF	3/8"	Ø.621-.622"	1.250"	6.82"
	BC-54205-16-62	not available	BC-54205-16-32	QR	3/8"	Ø.621-.622"	1.250"	6.83"
1 1/4"	BC-54205-20-50	BC-54206-20-50	BC-54205-20-20	1 1/4" R.H.	1/2"	Ø.808-.810"	1.500"	7.47"
	BC-54205-20-51	BC-54206-20-51	BC-54205-20-21	1 1/4" L.H.	1/2"	Ø.808-.810"	1.500"	7.47"
	BC-54205-20-62	not available	BC-54205-20-32	QR	1/2"	Ø.808-.810"	1.500"	8.59"
1 1/2"	BC-54205-24-50	BC-54206-24-50	BC-54205-24-20	1 1/2" R.H.	3/4"	Ø.995-.997"	1.500"	7.47"
	BC-54205-24-51	BC-54206-24-51	BC-54205-24-21	1 1/2" L.H.	3/4"	Ø.995-.997"	1.500"	7.47"
	BC-54205-24-60	BC-54206-24-60	BC-54205-24-30	CF	3/4"	Ø.995-.997"	1.500"	8.88"
	BC-54205-24-62	not available	BC-54205-24-32	QR	3/4"	Ø.995-.997"	1.500"	8.89"
2"	BC-54205-32-50	BC-54206-32-50	BC-54205-32-20	2" R.H.	1"	Ø1.245-1.247"	2.000"	8.37"
	BC-54205-32-51	BC-54206-32-51	BC-54205-32-21	2" L.H.	1"	Ø1.245-1.247"	2.000"	8.37"
	BC-54205-32-60	BC-54206-32-60	BC-54205-32-30	CF	1"	Ø1.245-1.247"	2.000"	9.83"
	BC-54205-32-62	not available	BC-54205-32-32	QR	1"	Ø1.245-1.247"	2.000"	9.46"
2 1/2"	BC-54205-40-50	BC-54206-40-50	BC-54205-40-20	2 1/2" R.H.	1 1/4"	Ø1.495-1.497"	2.250"	10.02"
	BC-54205-40-51	BC-54206-40-51	BC-54205-40-21	2 1/2" L.H.	1 1/4"	Ø1.495-1.497"	2.250"	10.02"
	BC-54205-40-60	BC-54206-40-60	BC-54205-40-30	CF	1 1/4"	Ø1.495-1.497"	2.250"	10.64"
	BC-54205-40-62	not available	BC-54205-40-32	QR	1 1/4"	Ø1.495-1.497"	2.250"	10.64"
3"	BC-54205-48-50	BC-54206-48-50	BC-54205-48-20	3" R.H.	1 1/2"	Ø1.745-1.747"	2.250"	11.03"
	BC-54205-48-51	BC-54206-48-51	BC-54205-48-21	3" L.H.	1 1/2"	Ø1.745-1.747"	2.250"	11.03"
	BC-54205-48-60	BC-54206-48-60	BC-54205-48-30	CF	1 1/2"	Ø1.745-1.747"	2.250"	11.54"
	BC-54205-48-62	not available	BC-54205-48-32	QR	1 1/2"	Ø1.745-1.747"	2.250"	11.54"

Threaded End & Syphon Pipe



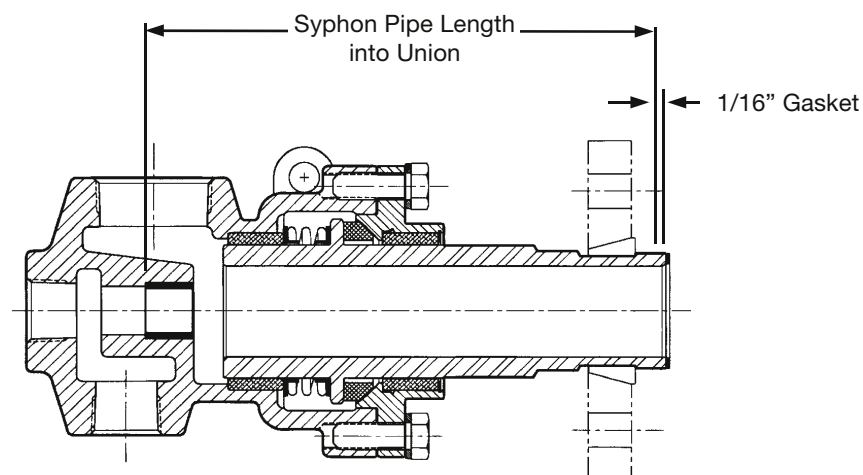
CF Connection

Ferrous & Bronze Trim
1" & 1 1/2" - 3

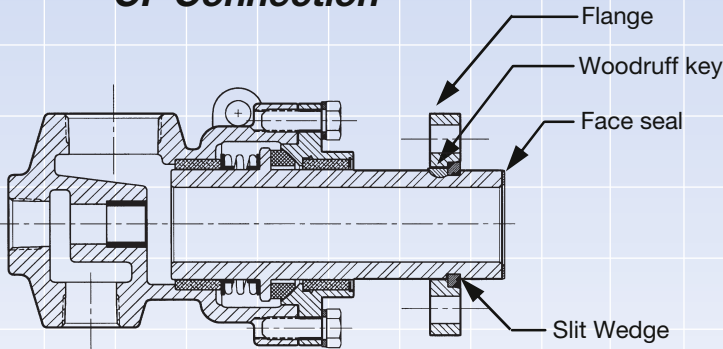


Quick Release Connection

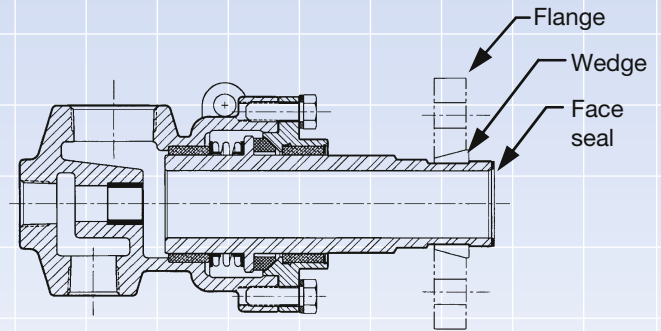
Ferrous Trim Only
1" - 3"



CF Connection

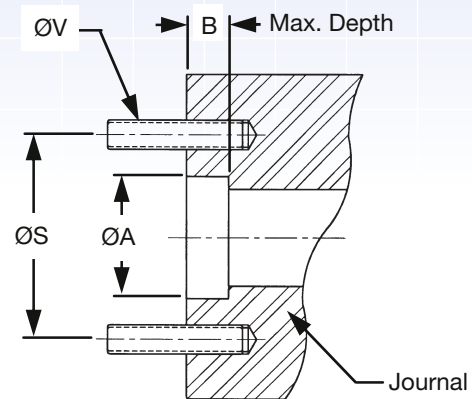


Quick Release Connection



Journal Dimensions

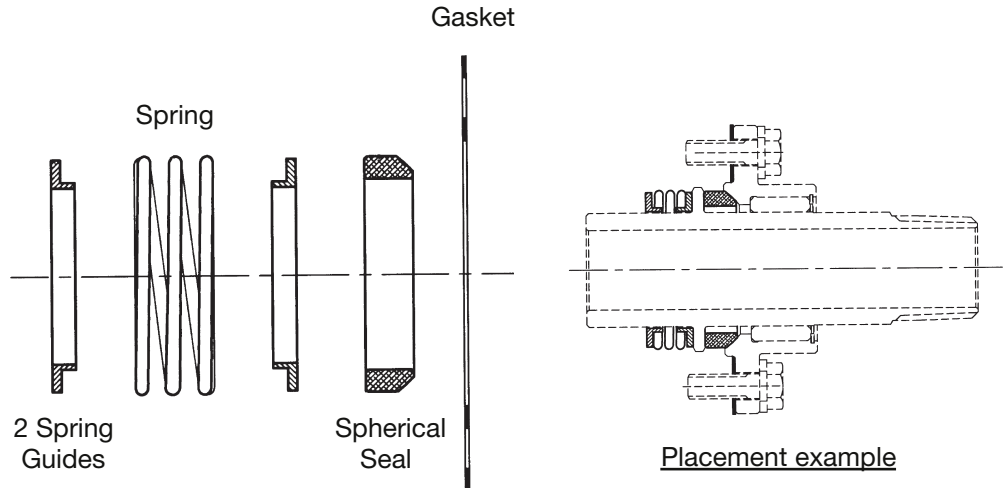
Joint size	CF Connection		Quick Release Connection	
	ØA	B	ØA	B
1"	Ø1.408"-1.406"	1.052"	Ø1.283"-1.279"	.312"
1 1/4"	---	1.052"	Ø1.624"-1.623"	.375"
1 1/2"	Ø2.099"-2.096"	1.052"	Ø1.877"-1.873"	.375"
2"	Ø2.724"-2.721"	1.052"	Ø2.325"-2.321"	.500"
2 1/2"	Ø3.099"-3.096"	1.052"	Ø2.845"-2.841"	.625"
3"	Ø3.724"-3.721"	1.052"	Ø3.439"-3.435"	.875"



Quick Release Flanges and split wedges are available. Contact Barco for more information.

Repair Kits

Joint Size	Part Number
1/2"	10-27274-00
3/4"	10-27275-00
1"	10-27276-00
1 1/4"	10-27277-00
1 1/2"	10-27278-00
2"	10-27279-00
2 1/2"	10-27280-00
3"	10-27281-00



DEUBLIN GmbH
 Nassaustraße 10
 65719 Hofheim a. Ts.
 Fon: +49 - 6122 - 8002-0
 Fax: +49 - 6122 - 15 888
 E-Mail: info@deublin.de