

LINEAR MOTION CONTROL

Technical Data Sheet





Linear Profile Guide Rail Brakes:

- **RBB:** NexSafe™ Safety Rated Rail Brake, Spring Engaged, Air Released
- **RBM:** Manual Rail Brake, Manually Engaged and Released



✓ CAT 4 PL e
✓ SIL 3

Certificate NO. FS-CRT-0006
intertek.com/directories/



PATENTED

A New Standard In Performance

Nexen's RBB Series of linear profile guide rail brakes use spring force to secure the load in holding applications. Superior response time and high force for stopping and holding in e-stop and power-off situations. Each RBB brake clamps directly onto the guide rail to provide positive braking and holding in all axes, with no effect on bearing surfaces.



- ✓ CAT 4 PL e
- ✓ SIL 3

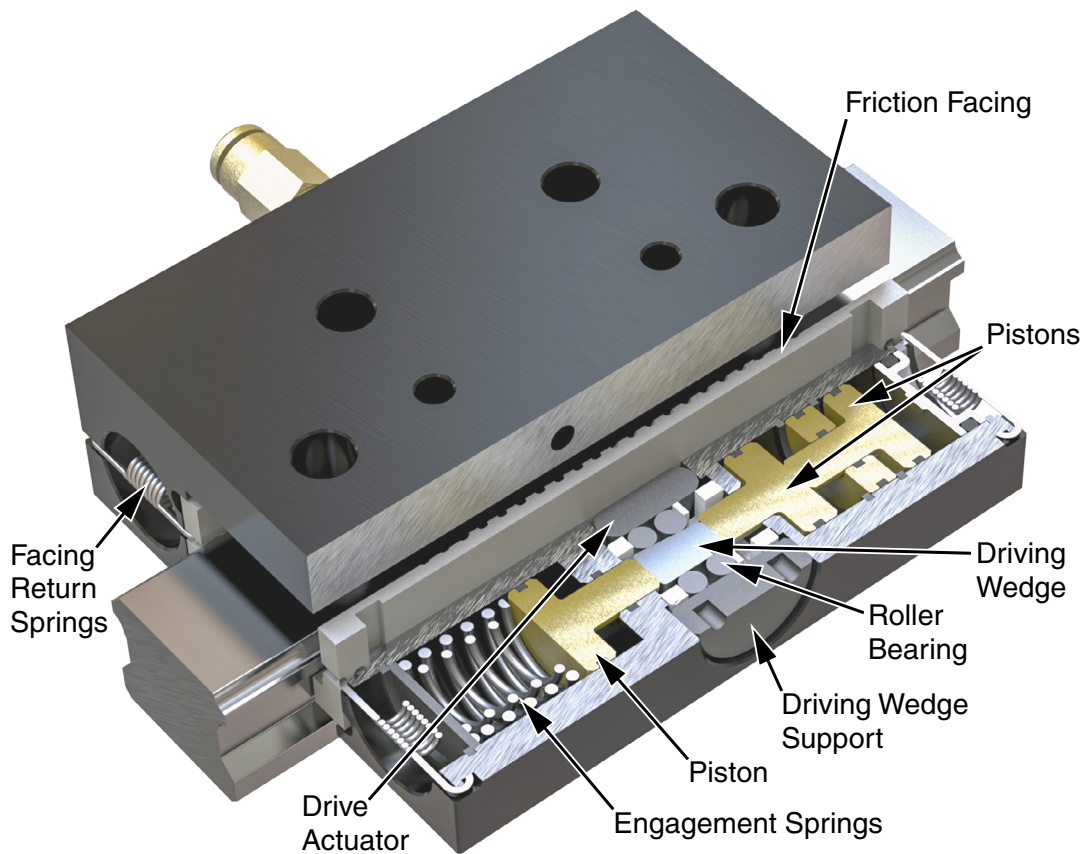
Certificate NO. FS-CRT-0006
intertek.com/directories/



Nexen's Spring Engaged, Air Released Rail Brakes are safety rated to comply with international safety standard ISO 13849-1. Category Level up to 4 and Performance Level up to e, able to be achieved using Nexsafe™ products in recommended configuration.

- Large friction facing contact area for consistent performance and low rail wear
- Ideal for power-off, e-stop and holding applications
- Low backlash for accurate position holding
- Brake geometry is similar to linear bearing cassettes for easy installation
- Provides stiffness and eliminates vibration in linear drives
- Large clearance between brake and rail compensates for installation misalignment
- No lubrication or periodic maintenance required
- Models available to fit most common profile guide rails
- Highest spring engaged / air released holding force on the market

RBB Rail Brake Specifications



Specifications

Model	Holding Force (F) (minimum)	Backlash at Full Brake Force (maximum)	Release Pressure (minimum)	Starting Engagement Time ² (t _e)	Mass ³ (average)	Ambient Temperature	Cycle Life (B10)
RB15B	500 N [112 lbs]	Up to 0.10 mm [0.004 in]	5.5 bar [80 psi]	0.049 sec.	0.41 Kg [0.904 lbs]	4.5 to 65.5°C [40 to 150°F]	2 Million Cycles
RB20B	800 N [180 lbs]	Up to 0.13 mm [0.005 in]	5.5 bar [80 psi]	0.044 sec.	0.62 Kg [1.367 lbs]		
RB25B	1000 N [225 lbs]	Up to 0.20 mm [0.008 in]	5.5 bar [80 psi]	0.050 sec.	0.84 Kg [1.86 lbs]		
RB30B	1300 N [292 lbs]	Up to .020 mm [0.008 in]	5.5 bar [80 psi]	0.070 sec.	1.54 Kg [3.40 lbs]		
RB35B	1600 N [360 lbs]	Up to 0.20 mm [0.008 in]	5.5 bar [80 psi]	0.070 sec.	2.04 Kg [4.50 lbs]		
RB45B	2600 N [585 lbs]	Up to 0.20 mm [0.008 in]	5.5 bar [80 psi]	0.080 sec.	3.48 Kg [7.68 lbs]		
RBL55B ¹	2600 N [585 lbs]	Up to 0.20 mm [0.008 in]	5.5 bar [80 psi]	0.225 sec.	5.21 Kg [11.49 lbs]		1 Million Cycles
RBL65B ¹	3400 N [764 lbs]	Up to 0.20 mm [0.008 in]	5.5 bar [80 psi]	0.230 sec.	7.10 Kg [15.65 lbs]		

Contact Nexen if one or more of these specifications must be modified for your application.

¹ RBL55B & RBL65B are not currently safety rated, nor are they available with operating mode sensors.

² Average, full engagement time with up to 2 meters length of 4mm, polyurethane tube, and 1.4 C_v, 24 volt directional control valve and no quick exhaust.

³ Mass shown is for standard units. Units with operating mode sensors have up to .25kg in additional mass. (Mass includes all lengths of cabling.)

RBB Rail Brake Product Numbers by Rail Type

Rail/Carriage Manufacturer	Rail Type	RB15B	RB20B	RB25B	RB30B	RB35B	RB45B	RBL55B	RBL65B
ABBA	BRH	968217	968218	968112	968219	968220	968221	N/A	N/A
HIWIN	HGR ¹	968179 ²	968178	968161	968107	968174	968181	968261 ⁵	Call Us ³
IKO	LWH	968132	968127	968158	968115	968171	968184	968254 ⁵	968259 ^{4,5}
	LRX	968134	968129	968160	968116	968173	968182	968253 ⁵	968258 ^{4,5}
	LWE	968133	968128	968159	968117	968172	968183	N/A	N/A
INA	KUSE	N/A	968148	968154	968118	968167	968194	N/A	N/A
	KUVE	968137	968143	968155	968108	968168	968195	N/A	N/A
LINTECH	HRC	968214	968215	968216	Call Us ³	Call Us ³	Call Us ³	N/A	N/A
NB	SGL ¹	968223 ²	Call Us ³	Call Us ³	Call Us ³	Call Us ³	Call Us ³	N/A	N/A
NOOK	NH	Call Us ³	Call Us ³	968213	Call Us ³	968198	Call Us ³	N/A	N/A
	NHRC / NARC	Call Us ³	Call Us ³	968233	Call Us ³	Call Us ³	Call Us ³	N/A	N/A
NSK	LS / NS	968138	968144	968156	968119	968169	N/A	N/A	N/A
	LH / NH	968131	968125	968157	968120	968170	968185	968255 ⁵	968260 ^{4,5}
PMI	MSA	968200	968201	968202	968203	968204	968205	Call Us ³	Call Us ³
ROCKFORD	RPG	968217	968218	968112	968219	968220	968221	N/A	N/A
ROLLON	MRRO	Call Us ³	Call Us ³	968235	Call Us ³	Call Us ³	N/A	N/A	N/A
SBC	SBG	Call Us ³	968188	Call Us ³	Call Us ³	Call Us ³	Call Us ³	Call Us ³	Call Us ³
	SBI	Call Us ³	968186	Call Us ³	Call Us ³	Call Us ³	Call Us ³	Call Us ³	Call Us ³
SCHNEEBERGER	MR	N/A	N/A	968162	N/A	Call Us ³	968206	Call Us ³	Call Us ³
SKF	LLRHS..A	968139	968146	968152	968105	968165	Call Us ³	N/A	N/A
	LLRHS..LA	968139	968146	968153	968105	968165	Call Us ³	N/A	N/A
	LLRHS..SA	968139	968146	968153	968105	968165	Call Us ³	N/A	N/A
	LLTHR	Call Us ³	Call Us ³	968121	968111	Call Us ³	Call Us ³	N/A	N/A
STAR (BOSCH) (REXROTH)	1605	968139	968146	968152	968105	968165	968187	Call Us ³	Call Us ³
	1607	968139	968146	968152	968105	968165	968187	Call Us ³	Call Us ³
	1645	968139	968146	968152	968105	968165	968187	Call Us ³	Call Us ³
	1647	968139	968146	968152	968105	968165	968187	Call Us ³	Call Us ³
	1805	N/A	N/A	968153	Call Us ³	968166	968197	Call Us ³	Call Us ³
	1807	N/A	N/A	968153	Call Us ³	968166	968197	Call Us ³	Call Us ³
TBI	TRH	968207	968208	968209	968210	968211	Call Us ³	Call Us ³	Call Us ³
THK	HSR	968135 ²	968145	968130	968102	968101	968193	968252 ⁵	968257 ^{4,5}
	SHS	968141 ²	968147	968150	968106	968163	968190	968250 ⁵	968256 ^{4,5}
	SRG	968136	968142	968126	968114	968164	968192	968251 ⁵	Call Us ³
	SR ¹	968177 ²	968180	968151	968113	968176	N/A	N/A	N/A
THOMSON	400	Call Us ³	968149	Call Us ³	968122	Call Us ³	Call Us ³	Call Us ³	N/A
N/A	40mm Rectangle	Call Us ³	Call Us ³	Call Us ³	Call Us ³	Call Us ³	968199	Call Us ³	Call Us ³

Contact Nexen if you don't see the rail listed above for your application, or need operating mode sensors for your application.

All Rail Brakes shown are Safety Rated and can be modified to add operating mode sensors, except sizes 55 & 65.

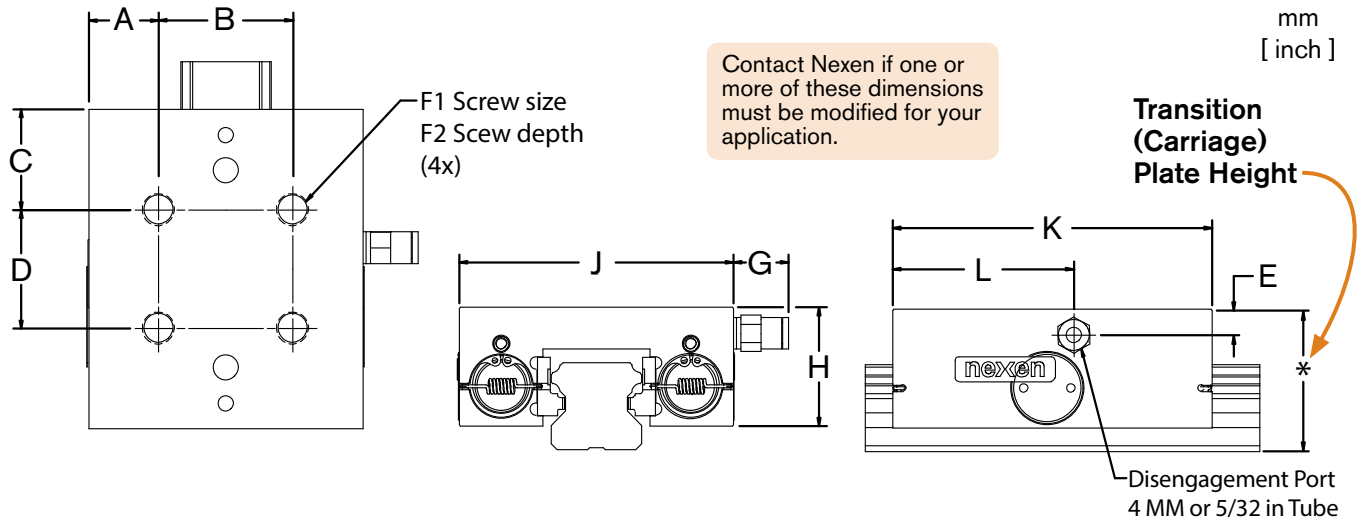
All Rail brakes shown above have a release pressure of 5.5 BAR [80 PSI], many rail types/sizes are available with release pressures below 4.1 BAR [60 PSI].

^[1]Rail brake holding forces are 10% less than shown on the previous page when used with THK: "SR", Hiwin: "HGR" and NB: "SGL" rail types.

^[2]RB15 product numbers 968135, 968141, 968177, 968223 and 968179 have a holding force of 400 N [90 lbs].

^[3]Contact Nexen for Availability. ⁴RBL65 Not Recommended for E-Stops. ⁵RBL55 and RBL65 are not C€ rated.

RBB Rail Brake Dimensions

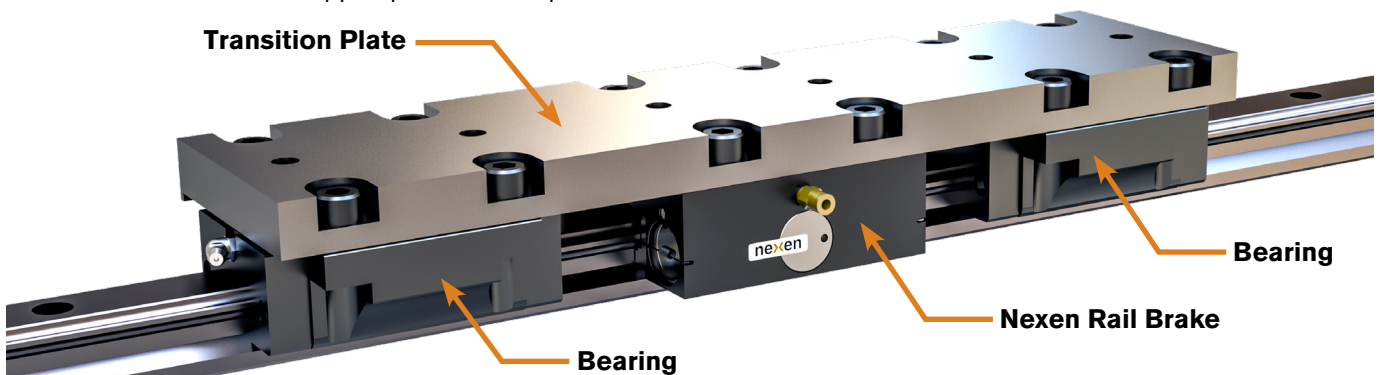


Model	A	B	C	D	E	F1	F2	G	H	J	K	L	Threaded Port
RB15B	14.25 [0.561]	26.00 [1.024]	20.50 [0.807]	26.00 [1.024]	5.0 [.20]	M5 x 0.8-6H	5.20 [0.210]	13.90 [0.550]	21.00 [0.827]	54.50 [2.146]	67.00 [2.640]	41.00 [1.610]	M5 x 0.8-6H
RB20B	17.25 [0.679]	30.00 [1.181]	23.50 [0.930]	30.00 [1.181]	5.0 [.20]	M6 x 1.00-6H	7.20 [0.280]	13.90 [0.550]	25.50 [1.004]	64.50 [2.539]	77.00 [3.030]	45.00 [1.770]	M5 x 0.8-6H
RB25B	17.75 [0.699]	34.00 [1.339]	25.50 [1.000]	30.00 [1.181]	7.0 [.28]	M8 x 1.25-6H	9.00 [0.340]	13.90 [0.550]	30.00 [1.181]	69.50 [2.736]	80.90 [3.190]	45.90 [1.810]	M5 x 0.8-6H
RB30B	8.75 [0.344]	72.00 [2.835]	24.00 [0.940]	52.00 [2.047]	7.0 [.28]	M10 x 1.5-6H	9.00 [0.350]	13.90 [0.550]	35.00 [1.378]	89.50 [3.524]	100.00 [3.937]	48.00 [1.890]	M6 x 1.0-6H
RB35B	8.75 [0.344]	82.00 [3.228]	22.00 [0.870]	62.00 [2.441]	9.0 [.35]	M10 x 1.5-6H	9.00 [0.350]	13.90 [0.550]	40.00 [1.575]	99.50 [3.917]	106.00 [4.173]	52.20 [2.055]	M6 x 1.0-6H
RB45B	27.25 [1.073]	65.00 [2.559]	28.50 [1.120]	70.00 [2.756]	12.5 [.49]	M12 x 1.75-6H	14.00 [0.550]	13.90 [0.550]	50.00 [1.969]	119.50 [4.705]	127.00 [5.000]	63.20 [2.49]	M6 x 1.0-6H
RBL55B	27.5 [1.08]	75.00 [2.953]	26.0 [1.02]	75.00 [2.953]	12.5 [.49]	M12 x 1.75-6H	14.00 [0.550]	14.70 [0.579]	58.00 [2.283]	130.00 [5.118]	127.00 [5.000]	62.60 [2.465]	M6 x 1.0-6H
RBL65B	32.0 [1.26]	76.00 [2.992]	28.5 [1.12]	70.00 [2.756]	15.0 [.59]	M16 x 2.00-6H	20.00 [0.787]	14.70 [0.579]	75.00 [2.953]	140.00 [5.512]	127.00 [5.000]	75.00 [2.953]	M6 x 1.0-6H

*Additional dimensions and tolerances are available in the drawings and CAD models on the product pages on Nexen's website. See Page 9 for optional operating mode sensor dimensions.

RBB Typical Mounting Arrangement

Note: Refer to Drawings and CAD models on www.nexengroup.com to determine if Nexen's Rail Brake and the application's Bearings have the same Transition (Carriage) Plate height. If not, the Transition (Carriage) Plate must have a stepped portion or adapters must be used.



RBB Rail Brake Sample Calculations for Emergency Stops

SAMPLE DATA

Brake Model ^{1,2}	Brake Force (F) ¹	Brake Engagement Time (t _e) ¹	Acceleration of Gravity (g)	Mass of Load (m)	Load Velocity (V)
RB25B	1000 N	0.050 seconds	9.8 m/s ²	45.4 kg	0.50 m/s

¹For brake specifications, see Specifications Table on page 4.

²RBL65B not recommended for E-Stops.

HORIZONTAL TRAVEL (X and Y axis)

Dynamic Stopping Time (in seconds):

$$t_T = \frac{m \cdot V}{F} + t_e$$

$$t_T = \frac{45.4 \cdot 0.50}{1000} + .050 = 0.073 \text{ seconds}$$

Dynamic Stopping Distance (in meters):

Distance of Travel During Brake Engagement (L_e)

$$L_e = V \cdot t_e$$

$$L_e = 0.5 \cdot 0.050 = 0.025 \text{ meters}$$

Stopping Distance (L_s) at Full Brake Force

$$L_s = \frac{0.5 \cdot m \cdot V^2}{F}$$

$$L_s = \frac{0.5 \cdot 45.4 \cdot 0.50^2}{1000} = 0.006 \text{ meters}$$

Total Travel Distance

$$L_T = L_e + L_s$$

$$L_T = 0.025 + 0.006 = 0.031 \text{ meters or } 31 \text{ mm}$$

In this example, the load will travel 31 mm [1.22 in] from the time the RB25B engages until the system is brought to a complete stop.

VERTICAL TRAVEL (DOWNWARD) (Z axis)

Dynamic Stopping Time (in seconds):

$$t_T = \frac{m \cdot (g \cdot t_e + V)}{[F - (m \cdot g)]} + t_e$$

$$t_T = \frac{45.4 \cdot (9.8 \cdot 0.050 + 0.50)}{[1000 - (45.4 \cdot 9.8)]} + 0.050 = 0.131 \text{ seconds}$$

Dynamic Stopping Distance (in meters):

Distance of Travel During Brake Engagement (L_e)

$$L_e = 0.5 \cdot (t_e^2) \cdot g + V \cdot t_e$$

$$L_e = 0.5 \cdot (.050^2) \cdot 9.8 + .5 \cdot .050 = 0.037 \text{ meters}$$

Stopping Distance (L_s) at Full Brake Force

$$L_s = 0.5 \cdot [(t_e \cdot g) + V] \cdot (t_T - t_e)$$

$$L_s = 0.5 \cdot [(0.050 \cdot 9.8) + 0.5] \cdot (0.131 - 0.050)$$

$$L_s = 0.040 \text{ meters}$$

Total Travel Distance

$$L_T = L_e + L_s$$

$$L_T = 0.037 + 0.040 = 0.077 \text{ meters or } 77 \text{ mm}$$

In this example, the load will travel 77 mm [3.03 in] from the time the RB25B engages until the system is brought to a complete stop.

Safety Rating

With third party certification carried out by Intertek®, Nexen's Rail Brakes are safety certified components capable of meeting the following ratings per safety standard ISO 13849-1:2015.

Cycle Life (B10D) of 4 million cycles

Common Cause Failure (CCF) is 75%

Mission Time is 10 Years

Diagnostic Coverage (DC) is dependent on brake redundancy and sensor setup:

Mean Time to Dangerous Failure (MTTF_D) of 100 Years
Assumes a B10D of 4 million cycles, H(op) of 16 hours/day, a D(op) of 260 days/year, maximum cycle rate of 37.4 seconds/cycle and maximum operation time of 10 years.

If DC is 0%	If DC is 60%	If DC is 90%	If DC is 99%
No sensor feedback necessary.	Feedback sensor shall be used to monitor the operating mode of brake.	Feedback sensor shall be used to monitor the operating mode of brake. The brake must be cycled engaged and disengaged at least this often to check for brake functionality:	
		every 3 months	once every day

Category B or Category 1 Example: One Brake, No Sensors

Safety Rated Rail Brake Control Circuit

Components: Air Supply, Filter Dryer, Regulator, Gauge, 3/2 (3 Way) N.C. Valve, Quick Exhaust Valve, Lock Inlet, Safety Rail Brake Unit, Control System.

Category B

Performance Level		a	b
If DC is 0%			
MTTF _D	years	3.1	13
Maximum average cycle rate	sec/cycle	1.2	4.9
Maximum operation time	years	0.3	1.3

Category 1

Performance Level		b	c
If DC is 0%			
MTTF _D	years	31	40
Maximum average cycle rate	sec/cycle	11.6	15.0
Maximum operation time	years	3.1	4

Air to Disengage Rail Brake

Control Wiring

Sensor Feedback Wiring

Category 2 Example: One Brake, Two Sensors

Safety Rated Rail Brake Control Circuit

Components: Air Supply, Filter Dryer, Regulator, Gauge, 3/2 (3 Way) N.C. Valve, Quick Exhaust Valve, Lock Inlet, Safety Rail Brake Unit, Dual Operating Mode Sensors, Control System.

Category 2:

Performance Level		c		d	
If DC is		60%	90%	60%	90%
MTTF _D	years	23	17	63	37
Maximum average cycle rate	sec/cycle	8.6	6.4	23.6	13.9
Maximum operation time	years	2.3	1.7	6.3	3.7

Air to Disengage Rail Brake

Control Wiring

Sensor Feedback Wiring

Safety Rating

Category 3 or Category 4 Example: Two Redundant Brakes, Two Sensors on Each

Safety Rated Rail Brake Control Circuit

The diagram illustrates a redundant air supply system for two safety rail brake units. Air from the supply passes through a filter dryer and a regulator with a gauge. It then splits into two parallel paths, each containing a 3/2 (3 Way) N.C. Valve. These paths lead to Quick Exhaust Valves, which are controlled by the Control System. Each Quick Exhaust Valve feeds into a Brake Inlet of a Safety Rail Brake Unit. Each unit is equipped with Dual Operating Mode Sensors. The Control System also receives feedback from these sensors. A legend indicates: Blue line for Air to Disengage Rail Brake, Green line for Control Wiring, and Purple line for Sensor Feedback Wiring.

Category 3:

Performance Level	d		e	
If DC is	60%	90%	90%	
MTTF _D	years	25	14	63
Maximum average cycle rate	sec/cycle	9.4	5.2	23.6
Maximum operation time	years	2.5	1.4	6.3

Category 4:

Performance Level	e	
If DC is	99%	
MTTF _D	years	31
Maximum average cycle rate	sec/cycle	11.6
Maximum operation time	years	3.1

Note: Each brake must have two Nexen operating mode sensors to achieve a **Category 3 or 4** Safety Rating. On **Category 4** units, all 4 sensors must have their data compared by the control system before use.

Optional Operating Mode Sensors

SAFETY RATING COMPLIANCE

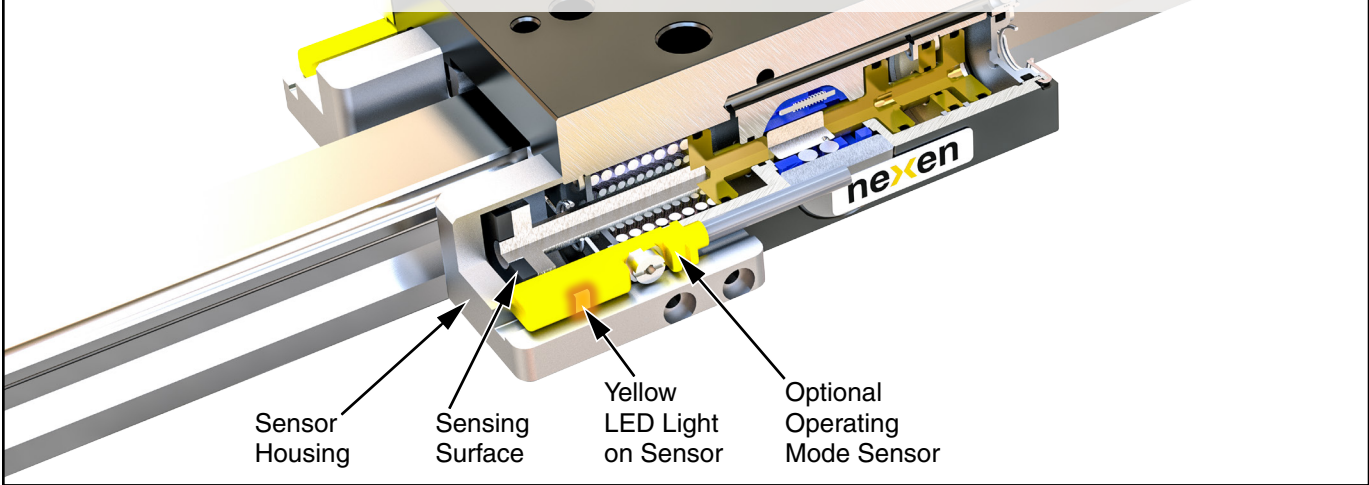
Nexen's Rail Brakes are Safety Rated by Intertek® and available with Operating Mode Sensors. By using the Operating Mode Sensor for either Engagement or Disengagement, system manufacturer's are able to gain higher safety category ratings per ISO 13849-1. Rating of the overall safety channel is the responsibility of the system manufacturer.

INDUSTRY 4.0 SOLUTION

Nexen's Rail Brake Operating Mode Sensors for either Engagement or Disengagement are Industry 4.0 compatible and can provide information to maximize machine efficiency.

Having this information available aides with:

- Accurate Linear Positioning
- Predictive Maintenance
- Operational Feedback



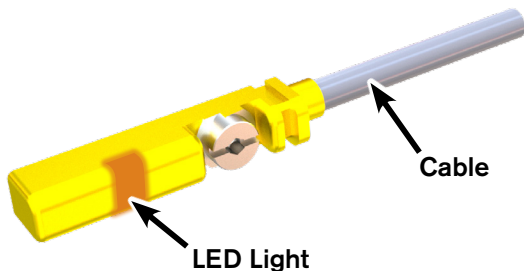
Each of the two optional Proximity sensors can sense the following functions of the Rail Brake:

DISENGAGEMENT SENSOR DEFINITION
 Sensor is activated when the rated air pressure is applied and the piston and facing pair move to a disengaged position.

ENGAGEMENT SENSOR DEFINITION
 Sensor is activated when the pistons and facing pair move out of the disengaged position into a position in which the facings will transmit force to the rail.

OPERATING MODE SENSORS

The Operating Mode Sensor(s) can be used to signal Engagement or Disengagement of the brake on the rail. In an effort to give the system manufacturer the most versatility, the Operating Mode Sensors can be setup as Engagement or Disengagement and either redundant or individual states. The Safety Rail Brake comes equipped with either one or two sensor housings. The sensors, ordered separately, are available in both PNP and NPN modes.



Sensor Specifications

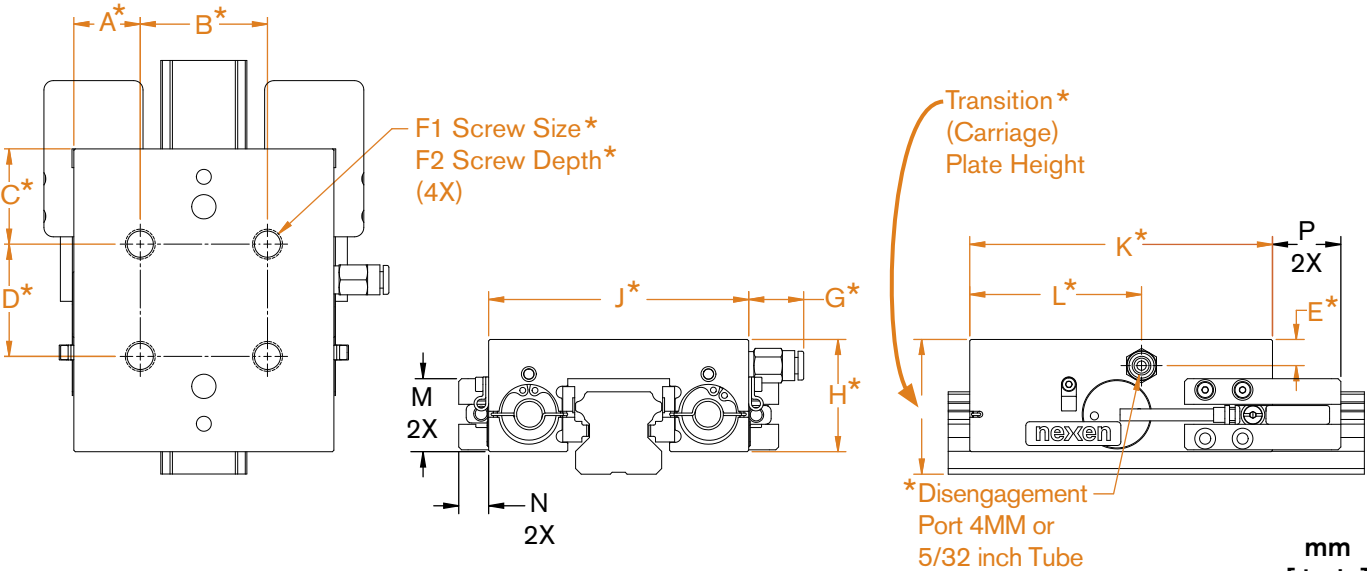
Sensor Type	Magneto-resistive
Supply Voltage	10 to 30 VDC
Operational Current	≤ 150 mA
Switching Type	Normally Open PNP and NPN Available
Ambient Temperature	-25 to +70°C [-13 to +158°F]
Switching State Indicator	LED, Yellow
Cable Length	7 meters [22.9 feet]
Protection Class	IP68
Protection	Short Circuit, Wire Breakage & Reverse Polarity Protection

Available Sensors

Sensor Product Number	Type
966195	PNP (Sourcing)
966190	NPN (Sinking)

Optional Sensors: Dimensions

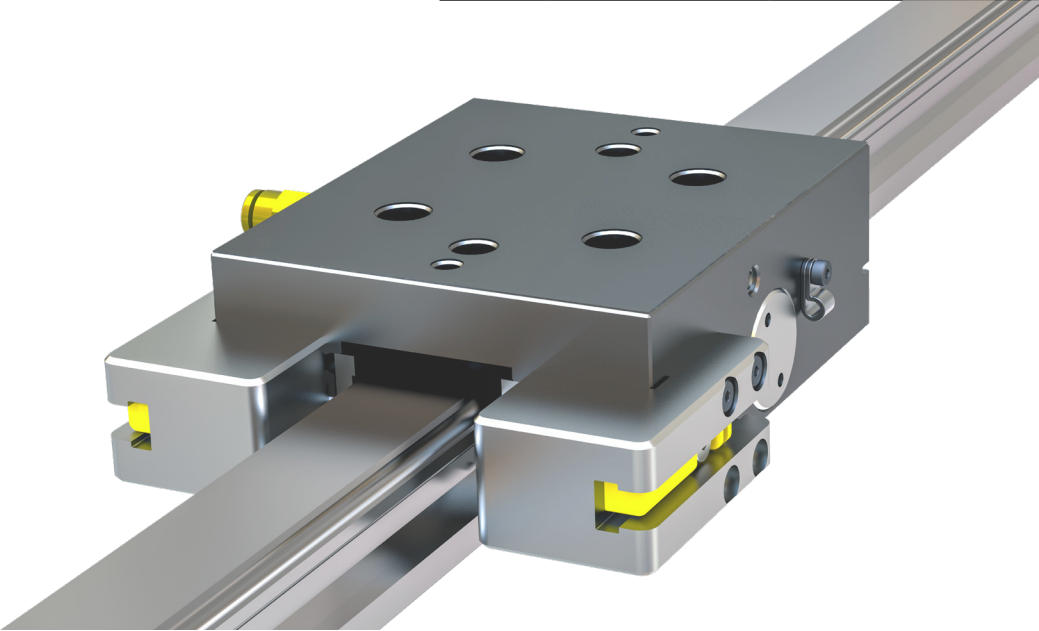
* These Dimensions are the same as standard units, see **Page 6**



The following dimensions apply only to Nexen's optional sensor setup, which may be installed on Safety Rated Rail Brake units. Additional dimensions and tolerances are available in the drawings and CAD models on the product pages on Nexen's website, www.nexengroup.com

Contact Nexen if one or more of these dimensions must be modified for your application.

Model	M	N	P
RB15B	19.3 [.76]	8.0 [.31]	18.3 [.72]
RB20B	19.3 [.76]	8.0 [.31]	18.3 [.72]
RB25B	19.5 [.77]	8.0 [.31]	18.3 [.72]
RB30B	28.0 [1.10]	8.0 [.31]	18.5 [.73]
RB35B	28.0 [1.10]	8.0 [.31]	18.5 [.73]
RB45B	33.0 [1.30]	8.0 [.31]	18.5 [.73]
RBL55B	N/A, Not available with optional operating mode sensors.		
RBL65B	N/A, Not available with optional operating mode sensors.		

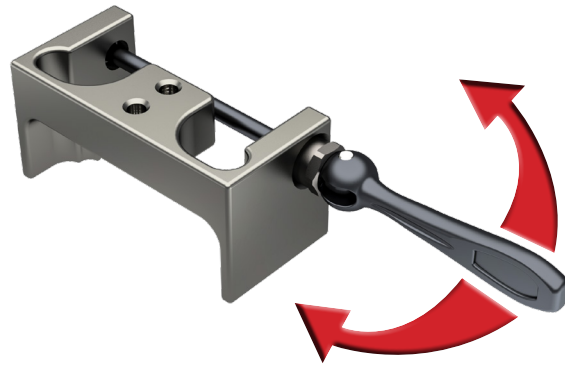


A New Standard In Performance

RBM: Manual Rail Brake

Nexen's RBM Series of linear profile guide rail brakes use a manually actuated lever to secure the load in holding applications. With no effect on bearing surfaces, the brake provides positive zero backlash holding in all axes. The compact footprint, compared to pneumatic and electric rail brakes, allows for ease of installation.

Nexen's RBM Series is engineered for dependable performance. The RBM Series provides an industry leading braking solution for linear profile guide rails. If personnel safety is required, an unrelated, redundant safety system is recommended. Nexen's RBM Series manual rail brakes are not safety rated.



- Easy operation. No wiring. No air lines.
- Zero backlash for accurate position holding
- Brake is compact for ease of installation
- Brakes engagement status is apparent via lever position
- Ideal for power-off and holding applications
- Large clearance between brake and rail compensates for installation misalignment
- Models available to fit most common profile guide rails
- Static holding cycle life in excess of one hundred thousand cycles



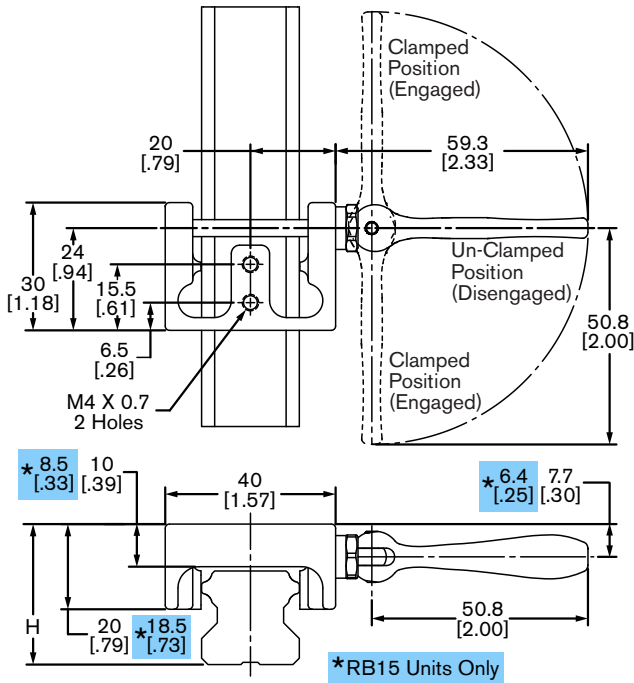
Manual Rail Brake: Product Description

Example: **RBM 25 - THK - HSR**

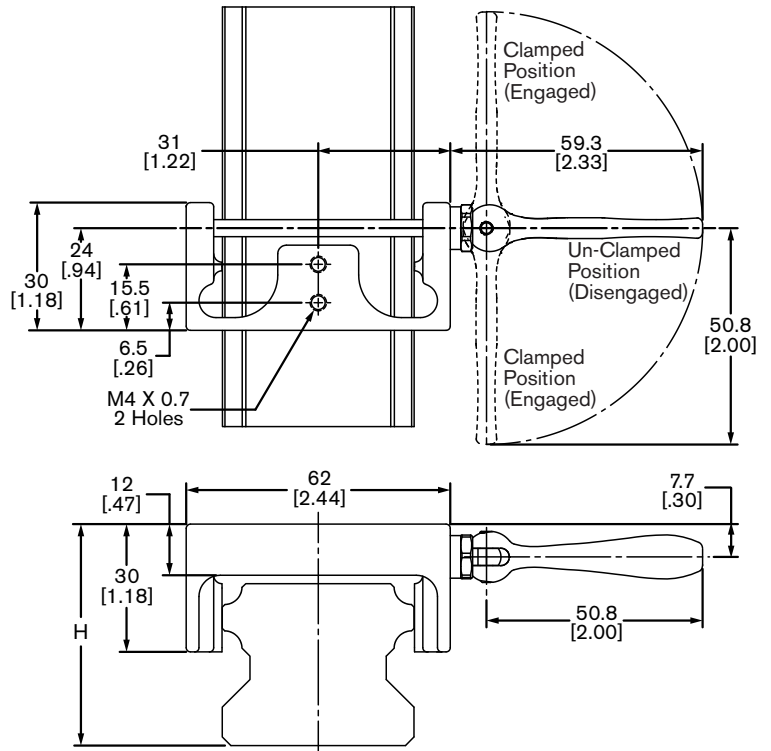
Product Type	Rail Size	Rail Manufacturer	Rail Model
Manual Rail Brake	15	THK	HSR
	20		SHS
	25		SR
	30	IKO	LWH / MH
	35		LWE / ME
	45	NSK	NH / LH
	NS / LS		

* Brake not compatible with Size 45 NSK-NS/LS Rail

Dimensions and Holding Force



Size: 15, 20 & 25 Rail



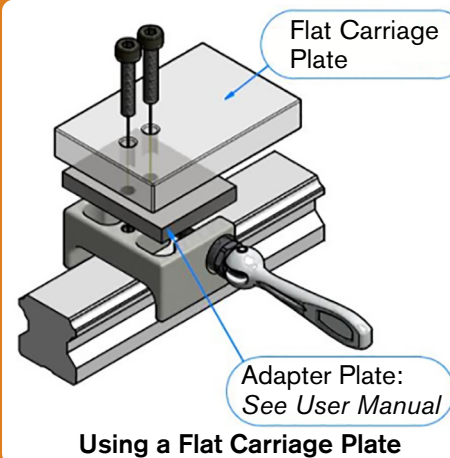
Size: 30, 35 & 45 Rail

Contact Nexen if your rail is not listed below.

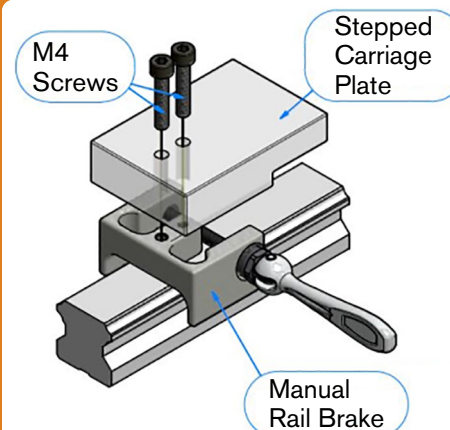
Rail Size	Rail Manufacturer THK	Rail Manufacturer IKO	Rail Manufacturer NSK	H (mm)	Weight (g)	Rated Static Holding Force (N)
15	SHS, SR	-	NS / LS	22.5	79	400 *
	HSR	LWE / ME, LWH / MH	NH / LH	24		
20	SR	LWE / ME	NS / LS	26.5	88	
	SHS	-	-	27		
25	HSR	LWH / MH	NH / LH	28.5	85	
	SR	-	NS / LS	28.5		
	-	LWE / ME	-	30		
30	SHS	-	-	31.5	140	
	HSR	LWH / MH	NH / LH	33		
	SHS, SR	-	NS / LS	36		
35	-	LWE / ME, LWH / MH	-	38	138	
	HSR	-	NH / LH	40		
45	SHS	-	-	40	135	
	HSR, SR	LWE / ME, LWH / MH	NS / LS, NH / LH	42		
	SHS	-	-	46		
	SR	LWE / ME, LWH / MH	-	48		
	HSR	-	NH / LH	50		
				52		

* Actual holding force may be reduced by approximately 50%, when rail or clamping surface of brake is not clean. (Grease, excessive oil, excessive dust, debris or metallic wear powder.) Holding force may decrease on certain types of rails. Brake must be adjusted once every six months, or once every 10,000 operations (static cycles) to maintain rated holding force. Nexen Manual Rail Brake is not CE rated.

Installation Examples

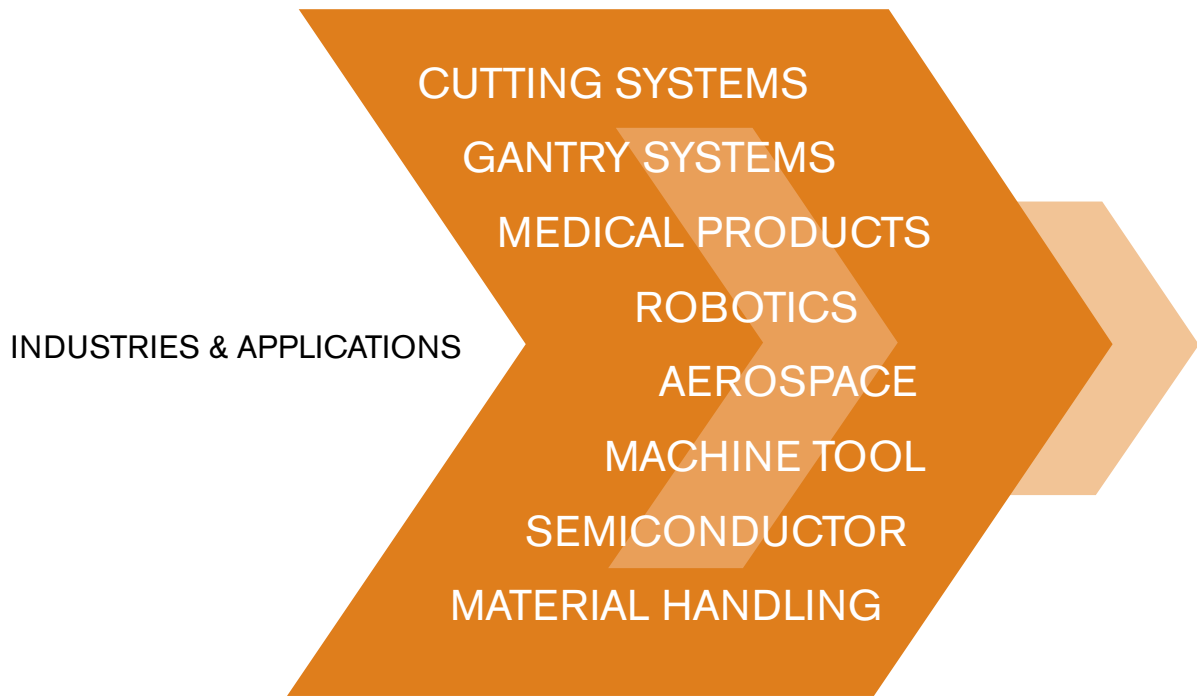


Using a Flat Carriage Plate



Using a Stepped Carriage Plate

See User Manual for Installation Instructions



www.nexengroup.com

In accordance with Nexen's established policy of constant product improvement, the specifications contained in this document are subject to change without notice. Technical data listed in this document are based on the latest information available at the time of printing and are also subject to change without notice. For current information, please consult www.nexengroup.com

nexen[®]

Nexen Group, Inc.
560 Oak Grove Parkway
Vadnais Heights, MN 55127

800.843.7445
Fax: 651.286.1099
www.nexengroup.com

Nexen has sales offices throughout the United States, Europe, Japan, and Australia.