

2.30 Boschert Chuck 30-40



30-40 STO

Boschert foot mounted chuck without shaft end

30-40 STW

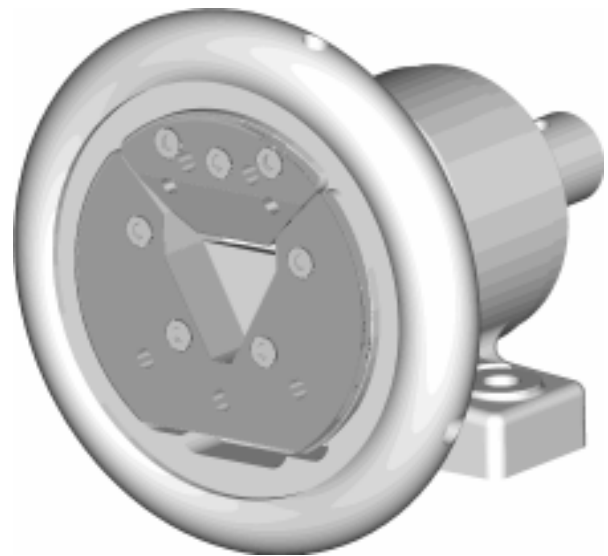
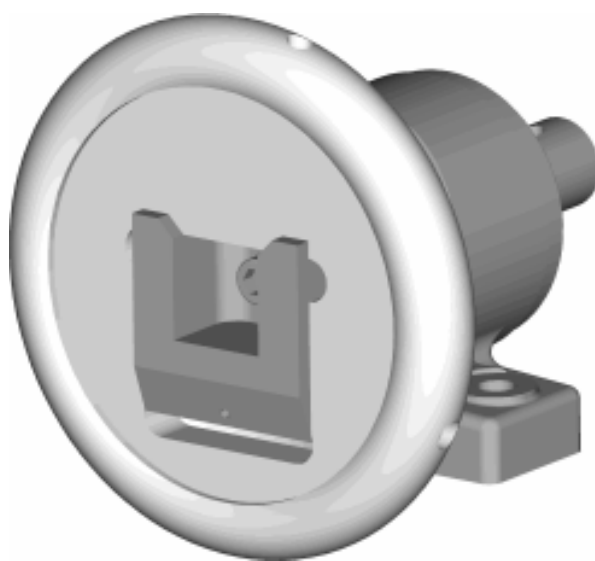
Boschert foot mounted chuck with shaft end

30-40 FLO

Boschert flange mounted chuck without shaft end

30-40 FLW

Boschert flange mounted chuck with shaft end



Beam weight max.: max. 1600 kg (max. 3530 lbs)
 Square bar: 30 mm - 40 mm (1.1811" - 1.5748")
 Torque: 350 Nm (250 ft/lb)

Checkbox !

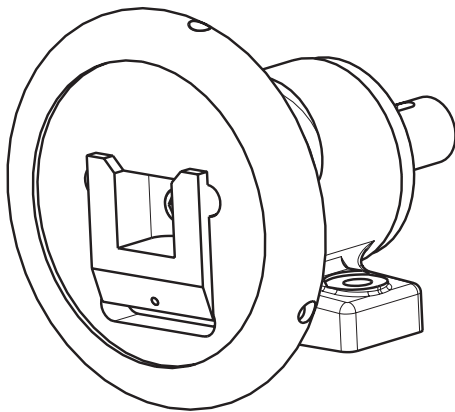
Options				Info
VT-insert:	<input type="checkbox"/> without	<input type="checkbox"/> VT1	<input type="checkbox"/> VT2	
	<input type="checkbox"/> VT6	<input type="checkbox"/> VT7	<input type="checkbox"/> special	
Hardness:	<input type="checkbox"/> 52 HRC	<input type="checkbox"/> 58 HRC	<input type="checkbox"/> special HRC	2.33
Model:	<input type="checkbox"/> pillow block	<input type="checkbox"/> flange chuck		
	<input type="checkbox"/> 90° foot	<input type="checkbox"/> extended chuck		5.40/5.41
	<input type="checkbox"/> opening angle ±30°			5.43
Journal shaft type:	<input type="checkbox"/> without	<input type="checkbox"/> standard shaft	<input type="checkbox"/> special	2.33
Handwheel lock:	<input type="checkbox"/> without	<input type="checkbox"/> lock type I	<input type="checkbox"/> lock type II	
		<input type="checkbox"/> left	<input type="checkbox"/> right	2.33
	(We recommend handwheel locks on applications in turret winders)			
Add. parts:	<input type="checkbox"/> without	<input type="checkbox"/> clutch	<input type="checkbox"/> drive	7.00
	<input type="checkbox"/> brake			6.00
Speed:	<input type="checkbox"/> <50 rpm	<input type="checkbox"/> 50 – 1000 rpm	<input type="checkbox"/> >1000 rpm	

Inquiry- and order form see chapter 9.01

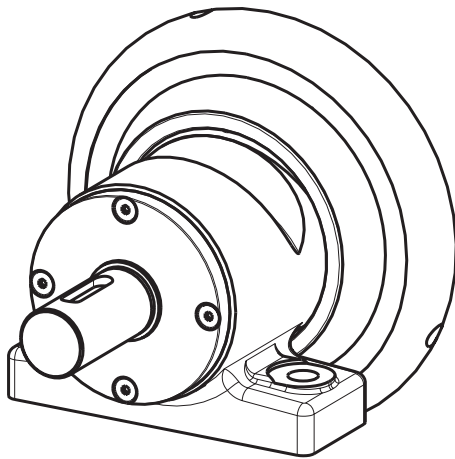
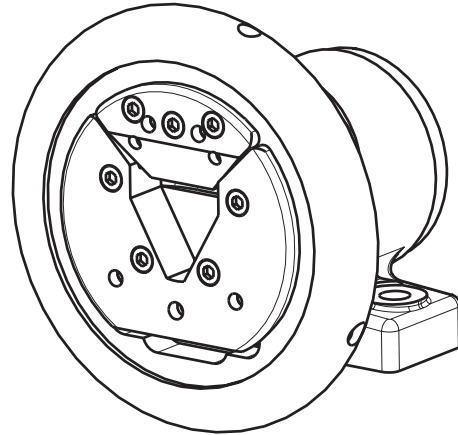
Boschert-Chuck foot mounted chuck 30-40



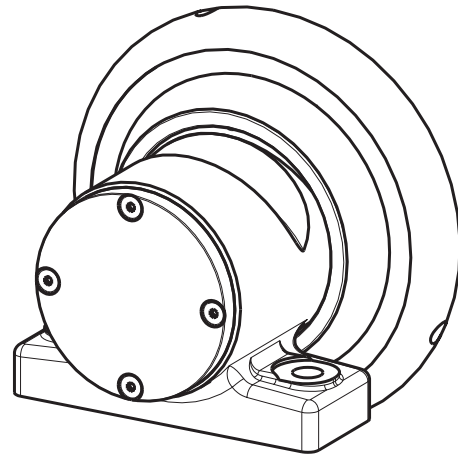
Boschert-Chuck 30-40 type C



Boschert-Chuck 30-40 type VT



STW 30-40
chuck with shaft end



STO 30-40
chuck without shaft end

