

**Handles rotary and angular alignment motion with positive sealing.**

BULLETIN 4001

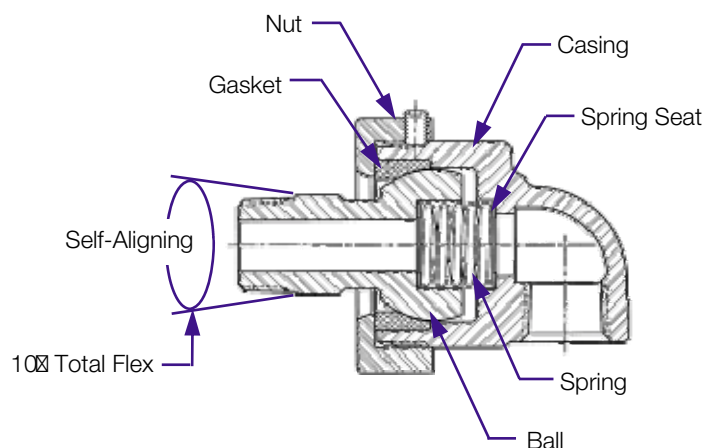
## Special design features :

- **10° angular flexibility permits positive positioning of lines.**
- **Outperforms and outlasts flexible hose with lower pressure drops.**
- **Faster and easier piping installation. Fabrications simplified.**
- **Eliminate the hazards of leaking pipe connections or catastrophic hose failures.**
- **Dog-leg arrangements accommodate hinged and lifting motions of presses.**



DEUBLIN is recognized as the pioneer and leader in the development and manufacture of spring-loaded, single-seat Self-Aligning Swivel Joints. These unique products handle 360° rotating and 10° angular movement between machinery and pipe work.

DEUBLIN Self-Aligning Swivel Joints convey hot and cold water, alternating steam and water and heat transfer fluids.

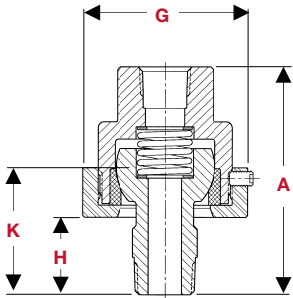


# Self-Aligning Swivel Joint

DEUBLIN supplies several different styles and sizes to suit your application.

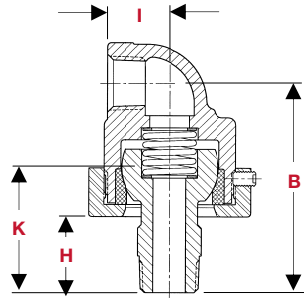
## DEUBLIN / STANDARD SERIES

Standard Series Self-Aligning Swivel Joints are built for steam, hot oil, water and alternating steam and water service.



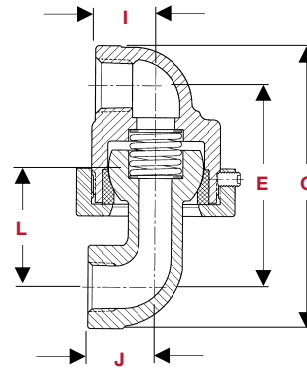
### STYLE 7S-8CS

- \* BE-32001-xx-xx
- \*\* BE-32008-xx-xx
- \*\*\* BE-33004-xx-xx



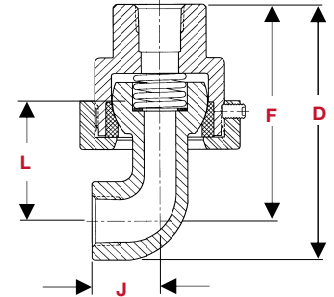
### STYLE 7AS-8CS

- \* BE-32003-xx-xx
- \*\* BE-32011-xx-xx
- \*\*\* BE-33008-xx-xx



### STYLE 7AS-8BS

- \* BE-32002-xx-xx
- \*\* BE-32010-xx-xx
- \*\*\* BE-33010-xx-xx



### STYLE 7S-8BS

- \* BE-32000-xx-xx
- \*\* BE-32007-xx-xx
- \*\*\* BE-33006-xx-xx

- \* Basic assembly number—Standard Series, All Bronze, available in 1/2" (13mm) and 3/4" (19mm) sizes. Dimensions located in Table 1.
- \*\* Basic assembly number—Standard Series, Malleable Iron Casing with Bronze Nut & Ball. Available in 1/2" (13mm) to 1-1/2" (38mm) sizes. Dimensions located in Table 1.
- \*\*\* Basic assembly number—Series 600, All Steel, available in 1-1/4" (32mm) and 1-1/2" (38mm) sizes. Dimensions located in Table 2.

**TABLE 1 DIMENSIONS / STANDARD SERIES, — inches & mm**

JOINT SIZE	SIZE CODE	A	B	C	D	E	F	G	H	I	J	K	L
1/2" 15mm	08	3.38" 86	3.38" 86	4.88" 124	3.66" 93	3.04" 77	3.04" 77	2.58" 66	1.32" 34	.97" 25	1.19" 30	2.22" 56	1.88" 48
3/4" 20mm	12	3.80" 96	3.77" 96	5.26" 134	4.48" 114	3.64" 92	3.67" 93	3.21" 92	1.42" 36	1.19" 30	1.31" 33	2.50" 63	2.37" 60
1" 25mm	16	4.69" 119	4.16" 106	6.00" 152	5.11" 130	4.10" 104	4.63" 118	3.62" 92	1.63" 41	1.50" 38	1.50" 38	2.81" 71	2.75" 70
1-1/4" 32mm	20	4.89" 124	4.70" 119	7.34" 186	6.31" 160	5.06" 129	5.25" 133	3.87" 98	1.59" 40	1.69" 43	1.81" 46	2.80" 71	3.16" 80
1-1/2" 40mm	24	5.56" 141	5.44" 138	7.55" 192	6.36" 162	5.06" 129	5.18" 132	5.00" 127	2.15" 54	2.16" 55	2.31" 59	3.53" 90	3.15" 80

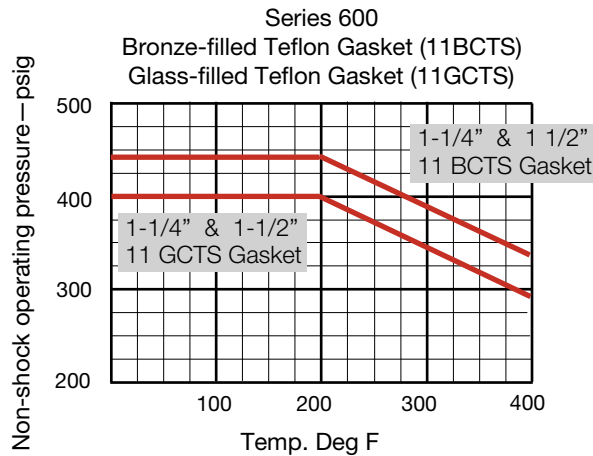
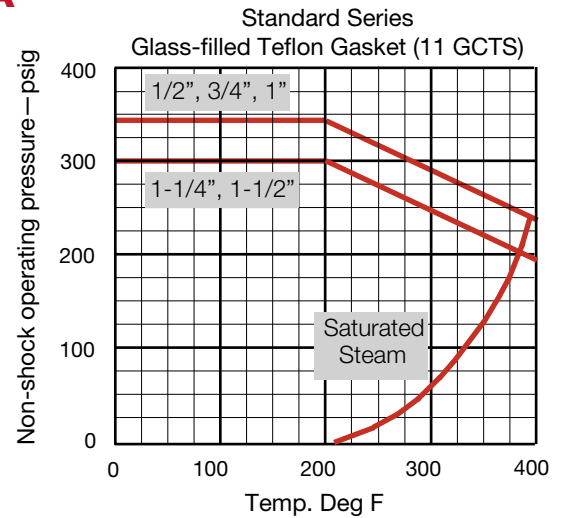
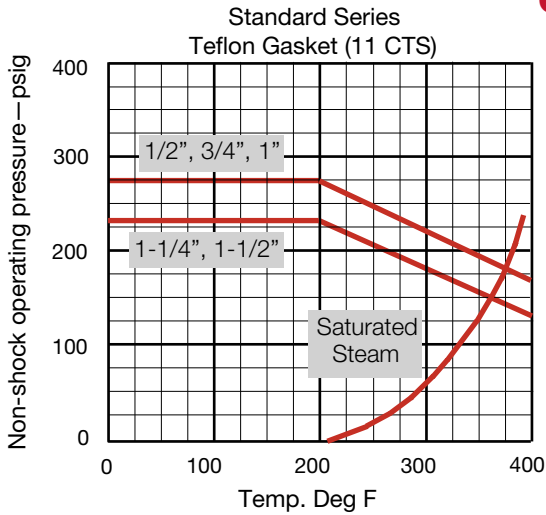
## DEUBLIN SERIES 600 / ALL STEEL

Series 600 Self-Aligning Swivel Joints are designed for high-pressure hydraulic service, alternating high-pressure oil and steam. Available in socket weld ends on special request. Contact DEUBLIN.

**TABLE 2 DIMENSIONS / 600 SERIES, All STEEL -inches & mm**

JOINT SIZE	SIZE CODE	A	B	C	D	E	F	G	H	I	J	K	L
1-1/4" 32mm	20	5.38" 137	5.28" 134	7.53" 191	6.40" 163	5.28" 134	5.34" 136	4.49" 114	1.88" 48	2.03" 52	2.12" 54	3.19" 81	3.18" 81
1-1/2" 40mm	24	6.23" 158	6.19" 157	8.59" 218	7.23" 184	6.03" 153	6.04" 153	5.00" 127	2.25" 57	2.25" 57	2.62" 67	3.88" 99	3.69" 94

## OPERATING DATA



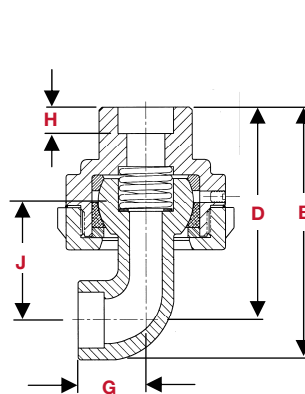
### DEUBLIN SERIES 600 / ALL STEEL, INJECTED FLAKED GRAPHITE SEALANT.

Designed for hot oil and high-pressure steam applications.  
These joints come standard with socket weld ends.  
Available with flanged ends on special request. Contact *DEUBLIN*.

#### OPERATING DATA

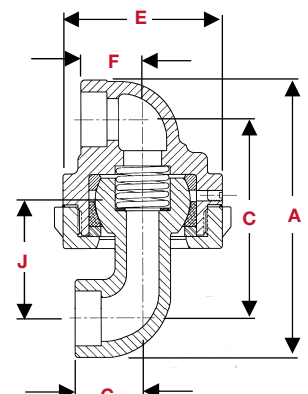
Hot Oil - 200 psig Max. (14 kg/cm<sup>2</sup>)  
446 °F Max. (230 °C)

Steam - 700 psig Max. (49 kg/cm<sup>2</sup>)  
446 °F Max. (230 °C)



**STYLE 7S-8BS**

BE-43006-xx-41



**STYLE 7AS-8BS**

BE-43010-xx-41

#### DIMENSIONS / 600 SERIES—ALL STEEL, GRAPHITE INJECTED - inches & mm

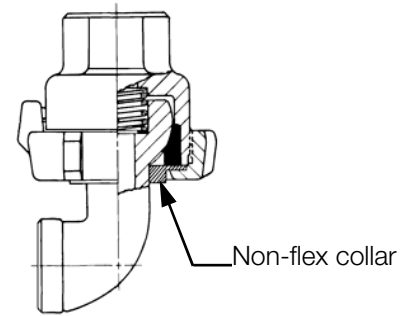
JOINT SIZE	SIZE CODE	A	B	C	D	E	F	G	H	J
1-1/4" 32mm	20	7.53" 191	6.41" 163	5.28" 134	5.35" 136	5.00" 127	2.03" 52	2.12" 54	.56" 14	3.19" 81
1-1/2" 40mm	24	8.67" 220	7.60" 193	6.12" 155	6.38" 162	5.00" 127	2.31" 59	2.69" 68	.50" 13	3.81" 97

# Self-Aligning Swivel Joint

## DEUBLIN “Non-flex” Collar

The “Non-Flex” Type Swivel Joints are available in the same styles, sizes, and materials as standard swivel joints, but a steel split collar is added between the nut and the gasket. The neck of the ball is machined to provide a bearing with this collar. This allows 360° rotation, but eliminates the 10° side flexing.

In dogleg, or three-joint assembly, it is recommended that the “Non-Flex” swivel joint be used only at the top anchor point of the assembly. Regular swivel joints at the other two points relieve binding and allow for piping misalignment.



**STYLE N78-8BS**

BE-43506-xx-xx

## DEUBLIN easy to follow numbering system

To order DEUBLIN swivel joint, state the complete part number as follows:

First, state the Basic Assembly Number, second, indicate the Size Code, third, add the Gasket Code number.

Easy numbering system					
<b>BE-XXXXX – XX – XX</b>					
		<b>Gasket Code</b>	<b>Gasket Material</b>	<b>Gasket</b>	
		-23	*Teflon	11CTS	
		-24	*Glass-filled Teflon	11GCTS	
		-51	*Bronze-filled Teflon	11BCTS	
	<b>Size Code</b>	<b>08</b>	<b>12</b>	<b>16</b>	<b>20</b>
	= in inches	1/2"	3/4"	1"	1-1/4"
	= millimeters	12,7	19,1	25,4	31,8
	<b>Basic Part Number</b>				
	BE-32xxx - Standard Series				
	BE-325xx - Standard Series <b>with non-flex collar</b>				
	BE-33xxx - Series 600, all Steel				
	BE-335xx - Series 600, all Steel <b>with non-flex collar</b>				
	BE-43xxx - Series 600, all Steel with injected graphite Seal				
	BE-435xx - Series 600, all Steel with injected graphite Seal & <b>with non-flex collar</b>				

\* DuPont trademark



DEUBLIN GmbH  
 Nassaustraße 10  
 65719 Hofheim a. Ts.  
 Fon: +49 - 6122 - 8002-0  
 Fax: +49 - 6122 - 15 888  
 E-Mail: info@deublin.de